

*If you have questions or comments, contact us.  
Pour toute question ou tout commentaire, nous contacter.  
Si tiene dudas o comentarios, contáctenos.*

**855-805-5745 • [www.dewalt.com](http://www.dewalt.com)**

**INSTRUCTION MANUAL  
GUIDE DE UTILISATION  
MANUAL DE INSTRUCCIONES**

**DEWALT®**

**Kerosene Forced-Air Heater DXH135HD, DXH190HD, DXH215HD  
Kérosène air forcé Chauffage DXH135HD, DXH190HD, DXH215HD  
El queroseno calentador de aire forzado DXH135HD, DXH190HD, DXH215HD**

2018 - 40798 - CB

**READ INSTRUCTIONS CAREFULLY:** Read and follow all instructions. Place instructions in a safe place for future reference. Do not allow anyone who has not read these instructions to assemble, adjust or operate the heater.

**VEUILLEZ LIRE ATTENTIVEMENT LES INSTRUCTIONS :** Lisez et observez toutes les instructions. Conservez ces instructions dans un endroit sécuritaire pour vous y référer ultérieurement. Interdisez à quiconque n'ayant pas lu les présentes directives d'assembler, de régler ou de faire fonctionner cette fournaise.

**LEA CUIDADOSAMENTE LAS INSTRUCCIONES:** Lea y siga todas las instrucciones. Conserve estas instrucciones en un lugar seguro para futura referencia. No permita que nadie que no haya leído estas instrucciones arme, ajuste o use el calentador.

**Definitions: Safety Guidelines**

The definitions below describe the level of severity for each signal word. Please read the manual and pay attention to these symbols.

- ▲ **DANGER:** Indicates an imminently hazardous situation which, if not avoided, **will** result in **death or serious injury**.
- ▲ **WARNING:** Indicates a potentially hazardous situation which, if not avoided, **could** result in **death or serious injury**.
- ▲ **CAUTION:** Indicates a potentially hazardous situation which, if not avoided, **may** result in **minor or moderate injury**.
- ▲ **NOTICE:** Indicates a practice not related to personal injury which, if not avoided, **may** result in **property damage**.

**▲ WARNING: DO NOT OPERATE THIS HEATER UNTIL YOU READ AND UNDERSTAND THIS INSTRUCTION MANUAL FOR SAFETY, OPERATION, AND MAINTENANCE INSTRUCTIONS.**

**▲ WARNING:**

Failure to comply with the precautions and instructions provided with this heater, can result in death, serious bodily injury and property loss or damage from hazards of fire, explosion, burn, asphyxiation, carbon monoxide poisoning, and/or electrical shock.

Only persons who can understand and follow the instructions should use or service this heater.

**▲ DANGER: CARBON MONOXIDE CAN KILL YOU**

This heater produces carbon monoxide. Do not use in occupied spaces. Ventilate building, room or other enclosed spaces where heater has been used before entering. Never use in a vehicle, camper or tent.

**▲ WARNING:**

Not for home or recreational vehicle use. Do not use to cook or warm food.

**▲ WARNING:**

Fire, burn, inhalation, and explosion hazard. Keep solid combustibles, such as building materials, paper or cardboard, a safe distance away from the heater as recommended by the instructions. Never use the heater in spaces which do or may contain volatile or airborne combustibles, or products such as gasoline, solvents, paint thinner, dust particles or unknown chemicals.

**▲ WARNING: RISK OF FIRE OR EXPLOSION**

- Do not use gasoline, naphtha or volatile fuels.
- Stop heater before adding fuels.
- Always fill outdoors away from open flame.
- Do not use external fuel source.
- Do not operate heater where flammable liquids or vapors may be present.
- Do not start heater when chamber is hot.
- Do not start heater when excess fuel has accumulated in the chamber.

**▲ WARNING:**

Combustion by products produced when using this product contains carbon monoxide, a chemical known to the State of California to cause cancer and birth defects (or other reproductive harm).

This product contains chemicals known to the State of California to cause cancer and birth defects or other reproductive harm.

**▲ WARNING: RISK OF ELECTRICAL SHOCK**

- Plug power cord into a properly grounded 3-wire receptacle.
- Do not operate in wet or damp conditions.

**▲ WARNING: RISK OF FIRE OR EXPLOSION**

- Do not store or use gasoline or other flammable vapors and liquids in the vicinity of this or any other appliance.

**WHAT TO DO IF YOU SMELL GAS?**

- Open windows.
- **DO NOT** try to light any appliance.
- **DO NOT** operate any electrical switches.
- **DO NOT** use any telephone in building. Immediately call the local gas supplier from an outside telephone. Follow the gas supplier's instructions.
- **DO NOT** touch any electrical switch; do not use any phone in your building.
- If you cannot reach your gas supplier, call the Fire Department.

**CONTENTS**

WARNINGS .....	2-3
HEATER SPECIFICATIONS .....	3
OPERATING PRECAUTIONS .....	4
SAFETY PRECAUTIONS.....	4
OPERATING INSTRUCTIONS .....	4-5
MAINTENANCE, STORAGE AND SERVICE .....	5-7
WIRING DIAGRAM .....	7
TROUBLE SHOOTING.....	8
PARTS LISTS/EXPLODED VIEWS.....	9-11
WARRANTY .....	12
INSTRUCTIONS FOR ORDERING PARTS .....	12

**Specifications**

**CAUTION: CSA certified for use with only No. 1-K kerosene fuel. Factory Tested: No.2-K kerosene, No.1 or No.2 Diesel, No.1 or No.2 fuel oil or JP8 Jet A fuel**

MODEL :	DXH135HD	DXH190HD	DXH215HD
BURN RATE:	35,000 Btu/hr (39.5 kw)	190,000 Btu/hr (55.6 kw)	215,000 Btu/hr (62.9 kw)
FUEL RATE:	1.0 gal /HR (3.8 L / HR)	1.4 gal/hr (5.3 L /HR)	1.61 gal/hr (6.1 L /HR)
ELECTRICAL INPUT:	115V, 60Hz, 5.5A	115V, 60Hz, 5.5A	115V, 60Hz, 5.5A
LINE PROTECTION:	20 AMPS	20 AMPS	20 AMPS
MIN. OPERATING VOLTAGE:	110V	110V	110V
PRESSURE SETTING:	6.8 PSI (47 kPA)	7.5 PSI (51.7 kPA)	8.4 PSI ( 57.9 kPA)
MAX. OUTLET TEMPERATURE:	1450 °F (787°C)	1450 °F (787°C)	1450 °F (787°C)
FUEL TANK CAPACITY	14 gal (53 L)	14 gal (53 L)	14 gal (53 L)
IGNITION:	Direct Spark, Continuous	Direct Spark, Continuous	Direct Spark, Continuous
SPARK GENERATOR:	Igniter, 13 kV, 10mA	Igniter, 13 kV, 10mA	Igniter, 13 kV, 10mA
PRIMARY SAFETY CONTROL:	Solid State Control	Solid State Control	Solid State Control
CERTIFICATION:	uCSA <sub>C</sub>	uCSA <sub>C</sub>	uCSA <sub>C</sub>

## Operating Precautions

### ▲ WARNING

This is a kerosene, direct-fired, forced air heater. It's intended use is primarily temporary heating of buildings under construction, alteration or repair.

Direct-Fired means that all of the combustion products enter the heated space. Even though this heater operates very close to 100 percent combustion efficiency, it still produces small amounts of carbon monoxide. Carbon monoxide (called CO) is toxic. CO can build up in a heated space and failure to provide adequate ventilation could result in death. The symptoms of inadequate ventilation are:

- headache
- dizziness
- burning eyes and nose
- nausea
- dry mouth or sore throat

Be sure to follow advice about ventilation in the Safety Precautions section.

Forced Air means that a blower or fan pushes the air through the heater. Proper combustion depends upon this air flow; therefore, the heater must not be revised, modified or operated with parts removed or missing. Likewise, safety systems must not be circumvented or modified in order to operate the heater.

When the heater is to be operated in the presence of other people the user is responsible for properly acquainting those present with the safety precautions and instructions, and of the hazards involved.

## Safety Precautions

### ▲ WARNING

1. Certified for use with No.1-K kerosene fuel. Factory tested for use with No.2-K kerosene, No.1 or No.2 Diesel, No.1 or No.2 fuel oil or JP8 Jet A fuel and these fuels may be used as well. Never use gasoline, oil drained from crank cases, naphtha, paint thinners, alcohol or any other highly flammable fuels.  
**Only store kerosene in containers marked Kerosene or Kerosine.**
2. Check the heater thoroughly for damage. DO NOT operate a damaged heater.
3. DO NOT modify the heater or operate a heater which has been modified from its original condition.
4. Suitable for outdoor use. For either outdoor or indoor use where adequate ventilation is provided. Never use in areas normally for habitation. Not for use where exposed to weather.

5. Use in well ventilated areas, provide at least 2 sq. ft. (0.19 sq. m.) of opening near the floor and 2 sq. ft. (0.19 sq. m.) near the ceiling directly to outdoors. Increase air openings as marked for each additional heater.
6. Always keep combustibles, like paper and wood at least 8 ft. (2.4 m) from the heater outlet and 3 ft. (1.0 m) from the top, sides and inlet. Locate 10 ft. (3.0 m) from canvas or plastic coverings and secure them to prevent flapping movement.
7. Caution: Due to the high surface and exhaust temperatures, adults and children must observe clearances to avoid burns or clothing ignition. Do Not Touch. Keep children, clothing, and combustible away.
8. Install the heater such that it is not directly exposed to water spray, rain and / or water.
9. Never use in occupied spaces and /or where children may be present.
10. Operate only on a stable, level surface.
11. Do not use with duct work. Do not restrict inlet or exit.
12. Use only with electrical power specified. The electrical connection and grounding must comply with National Electrical Code – ANSI/NFPA 70 (USA) and CSA C22.1 Canadian Electrical Code, Part 1 (Canada).
13. Use only a properly grounded 3-prong receptacle or extension cord.
14. Do not move, handle, or service while hot or while in operation.
15. Use only in accordance with local, state (provincial) or national requirements, ordinances and codes.
16. Roll cage on these units is for the heaters protection only. Do not stand or sit on the heater Do not use the frame around the unit as a table, saw horse.
17. The storage box mounted under the barrel of these units is intended for the storage of items that are not sensitive to heat. Please use the storage box only for small replacement parts, gloves, small hand tools, etc.

## Operating Instructions

### UNPACKING

### ▲ CAUTION: Heavy unit, do not attempt to lift without assistance.

1. Remove heater from carton.
2. Remove all protective material which may have been applied to the heater for shipment.
3. Check the heater for possible shipping damage. If any damage is found immediately contact the manufacturer at 855-805-5745.

**ASSEMBLY** (For 135,000, 190,000 and 215,000 BTU/hr models only, see figure 1, page 9.)

Wheels and handles are found in the shipping carton along with mounting hardware. The wheels, axle and mounting hardware are in a package. Tools required are a 5/16" nut driver, 3/8" open or adjustable wrench and standard pliers.

1. Assemble the wheels onto the wheel support as shown.
- a. Install one of the cotter pins into the hole on one end of axle.
- b. Slide the large washer, then wheel onto the axle next to the cotter pin.
- c. Slide the spacer onto the axle next to the wheel.
- d. Slide the partially assembled axle through the wheel support frame.
- e. Slide the spacer onto the axle next to the wheel support.
- f. Slide the wheel then large washer onto the axle and hold in place with the remaining cotter pin.
- g. Install the caps over the larger washers to finish the wheel assembly.
2. Position the heater on the wheel support frame assembly with the exit opposite the wheels.
3. Use eight screws and nuts to attach the handles to the top of the tank flange. The screws will go through the handles, tank flange and wheel support frame. Install the nuts and finger tighten only until all nuts are installed.
4. Tighten all the nuts.
5. Attach cross-bar support to front and rear upright handle with screws and tighten.
6. Attach drape guard with included screws. (Canadian requirement).

## PREPARING FOR OPERATION

1. Check the heater for possible shipping damage. If any is found, immediately contact the manufacturer at 855-805-5745.
2. Follow all of the "Precautions".
3. Fill the fuel tank with clean kerosene. In extremely cold weather, condensation may develop in the tank and it is recommended that a tablespoon of de-icer be added for each gallon (4 liters) of fuel in the tank. When filling the heater, use at least 2 gallons (8 liters) of fuel. Be sure heater is level and do not overfill. Use a funnel or can with a long fill spout.

**NOTICE: Before filling fuel tank the first time or after extended storage periods, drain the fuel tank of any moisture or condensation.**

4. Locate heater at a safe distance from combustible materials.

## HEATER START UP

1. Turn thermostat to lowest setting, make sure "ON/OFF" switch is "ON". Plug the heater into a grounded 115V, 60 Hz, 1 Ø outlet. Turn thermostat to highest setting. Start heater by pushing toggle switch to "I" position (light signifies switch is in "I" position). Adjust thermostat to desired setting. Heater will cycle on/off as heat is required.

EXTENSION CORD REQUIREMENTS: Up to 100' (30.5m) use 16 awg. conductor. 101' - 200' (30.5 - 61.0m) use 14 awg. conductor.

### For all models:

- In cold weather (below 10° F), starting may be improved by holding a finger over the vent hole of the pump adjustment screw cap until the heater starts.
- This unit is equipped with an interrupt circuit. The reset is integrated into the "ON/OFF" switch. If the unit does not start, toggle the switch to "OFF", wait 5 min. and toggle the switch to "ON".

## HEATER SHUT DOWN

Push "ON/OFF" switch to "OFF" position. For extended shutdown, unplug heater from power source.

## RESTART AFTER SAFETY SHUTDOWN

Toggle switch to "OFF" position, wait 5 minutes. Restart.

## Maintenance and Storage

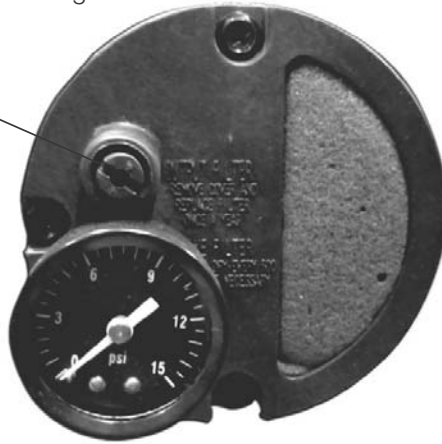
**▲ WARNING:** To prevent personal injury, unplug the heater from the wall outlet before servicing.

For maximum efficiency and trouble-free service, make the following periodic maintenance, cleaning and inspections.

## ADJUSTING PUMP PRESSURE

Due to varying fuel viscosities and normal component wear the pump pressure on this heater may need to be adjusted. The heater should only be operated at the manufacturer's recommended burner setting.

Pressure Adjustment Screw  
(located at the rear of the heater)



### ADJUSTMENT PROCEDURE:

1. Fill fuel tank.
2. Start heater.
3. Locate the fuel pressure adjustment screw. The pressure adjustment screw is located at the rear of the heater, in the air filter housing cover (slotted adjustment screw approx. 10 o'clock position).
4. The plug directly under the adjustment screw can be used to install a pressure gauge. It is not a second adjustment screw.
5. Using a flat bladed screw driver, turn the pump pressure adjustment screw clockwise to increase pump pressure and/or counter-clockwise to decrease pump pressure. Base pump pressures can be found in the specifications chart on page 3 of the "Operating Instructions and Owners' Manual".
6. For best results, the nose cone in the combustion chamber should be cherry red with no dark spots and the flame should not extend beyond the nose cone.

### IMPROPER PRESSURE ADJUSTMENT

**Problem:** Heater does not have a strong consistent flame.  
Heater smokes and spits raw fuel.  
Nose cone does not get cherry red.

**Adjustment:** Pump pressure is too low.

Turn adjustment screw clockwise to increase pump pressure.

**Problem:** Flame extends beyond the end of the heater.

**Adjustment:** Pump pressure is too high.

Turn adjustment screw counter clockwise to decrease pump pressure.

## Daily Maintenance Schedule

1. GENERAL. Make general visual inspection of heater for loose or damaged parts. Check nuts and bolts to insure against looseness caused by vibration or rough handling. Damaged parts should be repaired or replaced before using heater again. Check heater operation to be sure it is operating normally (See "Servicing" section for description of normal operation).
2. FILTERS. Dirty air or fuel filters will cause an imbalance in the air-fuel mixture. The best indication that this condition exists is an increase in odors or difficulty getting your heater to ignite. This heater should never be operated without the filters in place. If required, clean filters as described under "500 Hours" and "Annual Schedules".

## 500 Hour Maintenance Schedule

1. AIR INTAKE FILTER. Remove and wash the filter element with a mild detergent, dry thoroughly and replace. Do not oil the filter element. If your heater is used where there is considerable dust or dirt, clean as often as necessary (approximately every 50 hrs.).
2. REMOVE DUST. Clean heater twice a season (more often under dusty conditions). Remove accumulated dust from the transformer, burner, motor and fan blades with compressed air. Wipe area clean with a clean dry cloth. Inspect area to insure all foreign materials are removed, especially around the burner and combustion area.
3. CAD CELL. Clean the glass portion of the cad cell with a soft dry cloth.
4. NOZZLE. Accumulation of dirt from fuel and carbon from the compressor vanes will eventually fill up the passages in the nozzle, resulting in reduction of fuel and air flow. Pressure will gradually increase giving improper fuel-air mixture and excess odor and smoke. If this occurs, replace the fuel nozzle.
5. FUEL TANK. Clean twice a season (during frequently used periods, clean twice a month). Drain and flush the fuel tank with clean fuel oil.

## Annual Maintenance Schedule

1. **AIR OUTPUT FILTER.** Remove the air output filter and tap the contaminated side gently on a solid object to remove contaminants. Compressed air or liquids should not be used to clean this filter. Reinstall cleaned filter in filter body in the same position as it was when removed. If the filter appears extremely dirty, replace it with a new filter of the same type. When replacing the filter cover, be sure the gasket is firmly in place and the screws in the filter cover are tight to prevent air leaks.
2. **FUEL FILTER.** Remove the fuel filter from fuel line and direct compressed air through the filter in the opposite direction of fuel flow. Safety glasses should be worn when using compressed air.
3. **AIR AND FUEL LINES.** If the air or fuel lines are removed during cleaning, be sure all connections are tight before operating unit.

## STORAGE

Store the heater in a dry location free from fumes or dust.

At the end of each heating season, clean the heater as described in the MAINTENANCE section. Drain and flush the fuel tank with clean fuel. The manufacturer recommends completely filling the tank with fuel for extended storage to minimize condensation inside the tank.

## SERVICING

### ⚠ WARNING

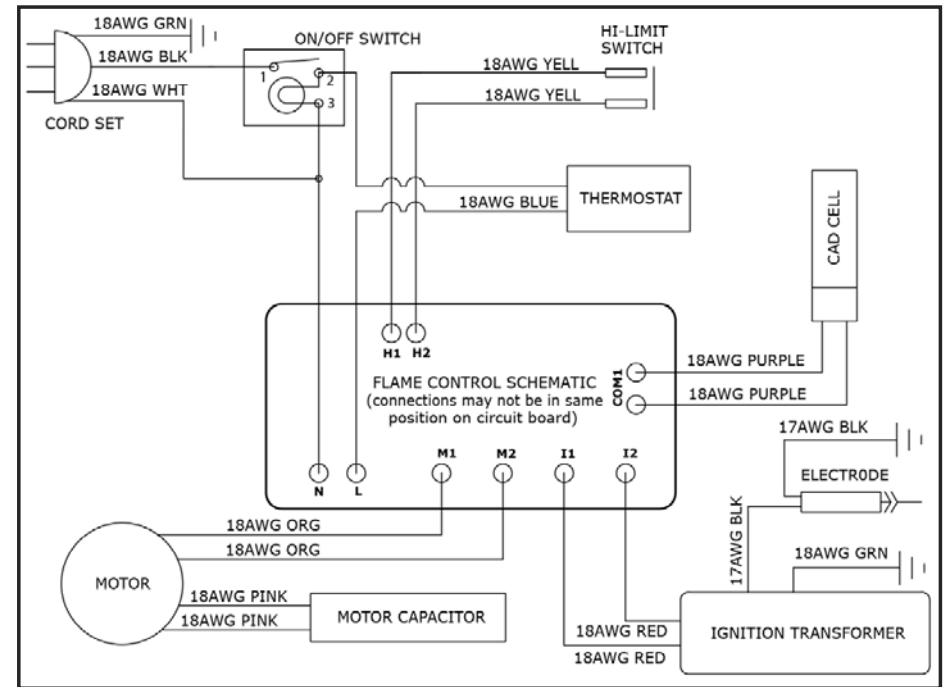
A hazardous condition may result if a heater is used that has been modified or is not functioning properly.

When the heater is working normally:

- \* The flame is contained within the heater.
- \* The flame is essentially yellow.
- \* There is no strong disagreeable odor, eye burning or other physical discomfort.
- \* There is no smoke or soot internal or external to the heater.
- \* There are no unplanned or unexplained shut downs of the heater.

Immediately shut down and do not use a heater that is not working normally. Do not attempt to re-start and use the heater until it has been serviced by qualified service personnel.

## Wiring Diagram



The parts lists and wiring diagram show the heater as it was constructed. Do not use a heater which is different from that shown. Heater performance is effected by air pressure setting. If there is any uncertainty about the air pressure setting, have it checked.

A heater which is not working right must be repaired, but only by a trained, experienced service person.

## Diagnostic Safety Shutdown and Trouble Shooting

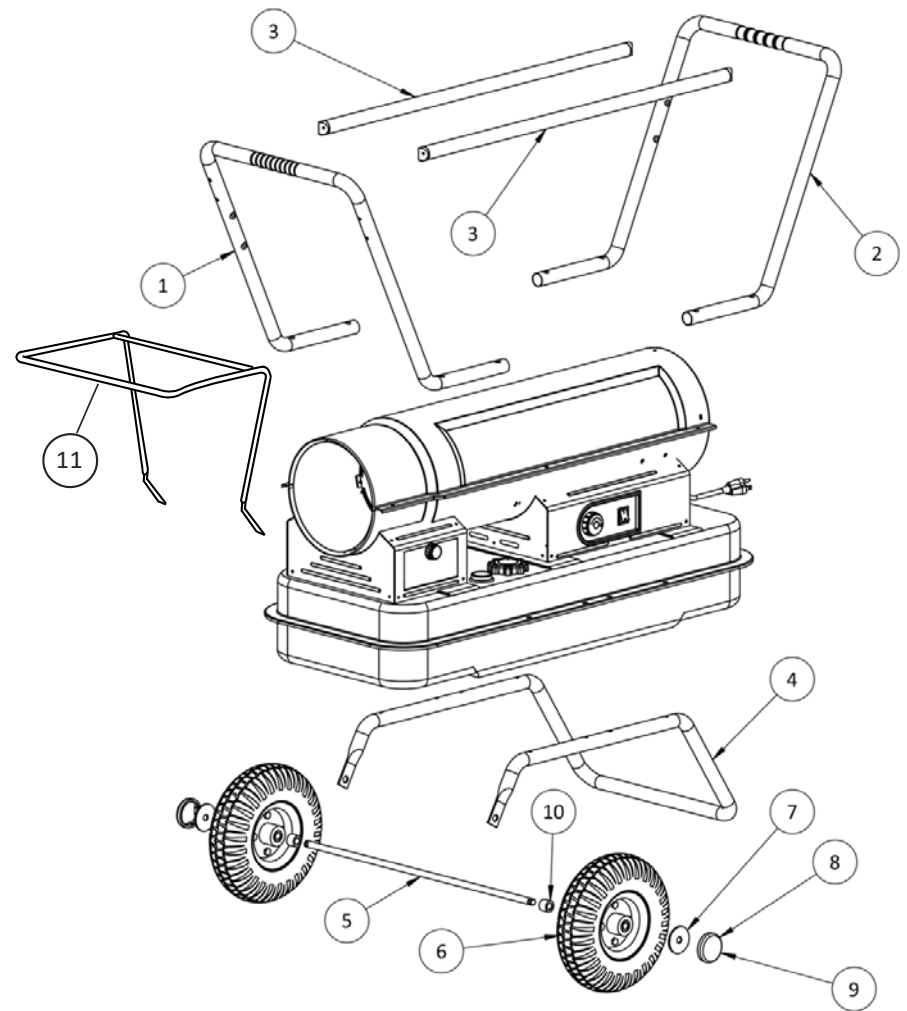
These instructions are applicable for DXH135HD, DXH190HD, DXH215HD

SYMPTOM	TROUBLE SHOOTING
High limit switch Open Circuit	1) Make sure heater is cooled off, toggle switch to "O" position, wait 5 minutes and retry.
Sparks, calling for flame, but no or slow motor operation	<ol style="list-style-type: none"> <li>1) Check wiring to motor (per wiring schematic in manual).</li> <li>2) Make sure that the pressure gauge plug is in place and not damaged.</li> <li>3) Adjust pressure for proper heater operation per manual.</li> <li>4) With heater disconnected from AC source, rotate fan clockwise to verify motor is free.</li> <li>5) Remove air filter housing from motor and inspect the pump rotor for damage. If damaged, replace rotor assembly.</li> <li>6) If wiring is correct, pump rotor is okay, and motor is not rotating freely, replace motor or power-pack assembly.</li> <li>7) If problem persists, replace oil flame control assembly.</li> <li>8) Check for spark arching from the electrode assembly, to the combustion cylinder.</li> <li>9) Check the cad cell for continuity.</li> </ol>
No Spark	<ol style="list-style-type: none"> <li>1) Check length and gage of extension cord for proper amp. draw. (Check requirements on page 5.)</li> <li>2) Check wiring to igniter (per wiring schematic in manual).</li> <li>3) Check gap between electrode probes (2.3 - 3 mm).</li> <li>4) Still no spark, replace igniter assembly.</li> </ol>
Abnormal Motor Operation - Motor overheats or Stops	<ol style="list-style-type: none"> <li>1) Motor speed too low (Motor should operate at 3450rpm, except 50K at 1550rpms) - Replace motor.</li> <li>2) With heater disconnected from AC source, rotate fan clockwise to verify motor is free.</li> <li>3) Remove air filter housing from motor and inspect the pump rotor for damage. If damaged, replace rotor assembly.</li> <li>4) If wiring is correct, pump rotor is okay, and motor is not rotating freely, replace motor or power-pack assembly.</li> </ol>
Unable to Detect Flame	<ol style="list-style-type: none"> <li>1) Check wiring to cad cell (per wiring schematic in manual).</li> <li>2) Clean cad cell photo cell.               <ol style="list-style-type: none"> <li>a) Slide cad cell out of cad cell holder.</li> <li>b) Push the photo cell out of the black rubber cad cell housing by pushing on the 2 purple wires.</li> <li>c) Clean the photo cell with a soft cloth and rubbing alcohol.</li> <li>d) Pull the photo cell back into the cad cell housing and reinstall into holder.</li> <li>e) Test heater.</li> </ol> </li> <li>3) If the heater still does not operate, replace cad cell.</li> </ol>
Flame Control Failure	<ol style="list-style-type: none"> <li>1) Check wiring in heater (per wiring schematic in manual).</li> <li>2) Replace oil flame control assembly.</li> </ol>



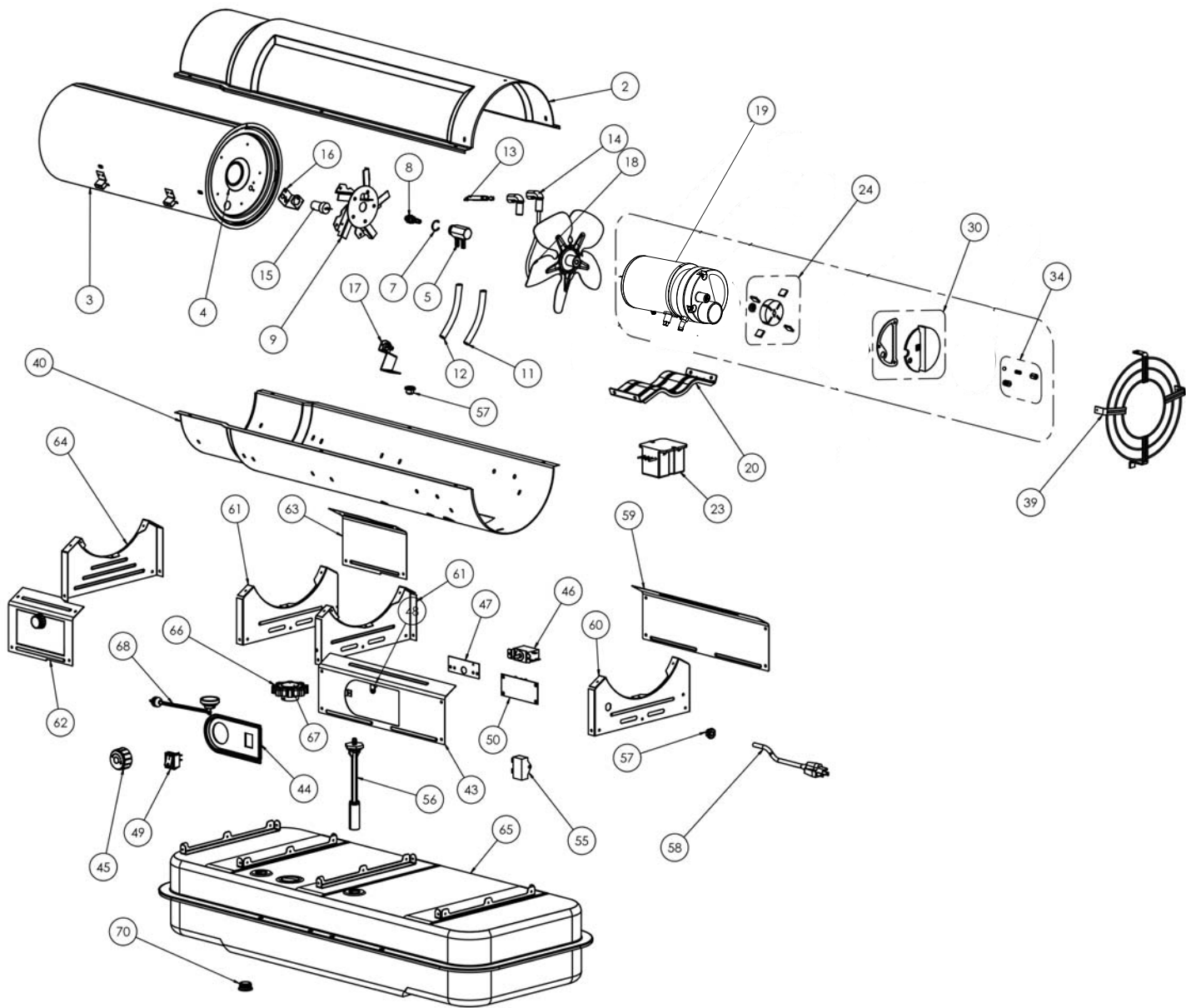
## Handle & Wheel Assembly Parts List

	DXH135HD	DXH190HD	DXH215HD	
REF.	ITEM#	ITEM#	ITEM#	DESCRIPTION
1	40856	27114	40856	Front Handle
2	40857	27103	40857	Rear Handle
3	40858	27103	40858	Cross Handle(2)
4	21875	27103	21875	Wheel Support Frame
5	22190	22190	22190	Axle
6	40940	40940	40940	Wheel Assembly
7	28749	28749	28749	Large Retainer Washer
8	28750	28750	28750	Cotter Pin
9	28751	28751	28751	Hub Cap
10	21897	21897	21897	Wheel Spacer
*	28787	28787	28787	Hardware Kit
11**	21908	21909	21909	Drape Guard
				* Not Shown ** Canadian Requirement



## Parts List

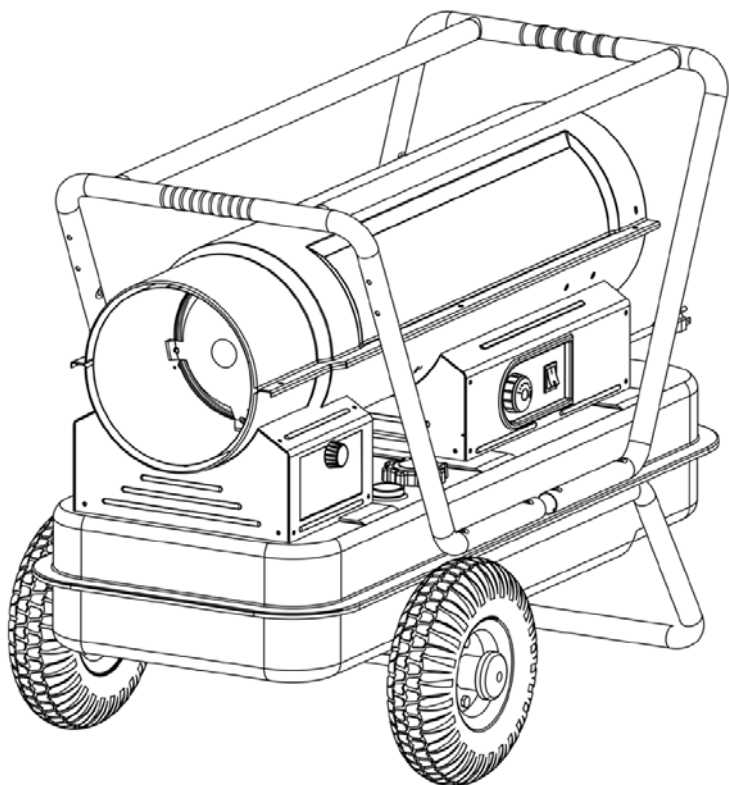
Ref.	Item #	Item #	Item #	Description	Ref.	Item #	Item #	Item #	Description
DXH135HD DXH190HD DXH215HD					DXH135HD DXH190HD DXH215HD				
1	****	****	****		46	21734	21734	21734	Thermostat Assembly
2	40805	40804	40804	Top Half Shell	47	40830	40830	40830	Thermostat Mounting Bracket
3	40809	40807	40807	Radiation Shield Ass'y	48	26070	26070	26070	Loop Clamp
4	22233	22107	22107	Combustion Chamber Cyl. Ass'y	49	40831	40831	40831	I/O Switch
5	28739	27790	28739	Nozzle Adapter	50	21866	21866	21866	Flame Control Assembly
7	27429	27429	27429	Nozzle Retaining Ring, External	55	28735	28735	28735	Starter Capacitor
8	F221879	F221891	F221891	Fuel / Air Aspir. Nozzle	56	28780	28780	28780	Fuel Filter w/Gasket
9	22257	22257	22257	Burner Head Assembly	57	26225	26225	26225	Strain Relief Grommet
11	24346	24346	24346	Fuel Tube	58	21036	21036	21036	Power Cord
12	24345	24345	24345	Air Tube	59	40841	40841	40841	Right Side Rear Panel
13	F221857	F221857	F221857	Electrode Assembly	60	40842	40842	40842	Inlet End Rear Panel
14	21820	21820	21820	Insulated Electrode Cover	61	40845	40845	40845	(1) Inlet End Front Panel
15	F226865	F226865	F226865	CAD Cell Flame Sensor					(1) Outlet End Rear Panel
16	24011	24011	24011	CAD Cell Bracket	62	40847	40847	40847	Left Front Panel w/Door
17	40814	40814	40814	High Limit Control Assembly	63	40848	40848	40848	Right Side Front Panel
18	26885	26866	26866	Fan	64	40846	40846	40846	Outlet End Front Panel
19	26975	26975	26975	Power Pac Assembly	65	40852	40852	40852	Fuel Tank Assembly
20	40818	40818	40818	Motor Mounting Bracket	66	26959	26959	26959	Fuel Cap
23	22142	22142	22142	Igniter Assembly	67	26910	26910	26910	Fuel Cap Gasket
24	F226831	F226831	F226831	Rotor kit	68	28778	28778	28778	Fuel Gauge w/Gasket
	*Includes: Rotor, Rotor Vanes & Rotor Drive				70	22132	22132	22132	Tank Drain Plug
30	F221887	F221887	F221887	Filter Kit	* Not shown in the drawing				
	*Includes: Inlet Filter, Outlet Filter & Gasket, Fuel Filter Screen								
34	F266842	F266842	F266842	Pump Adjustment Kit					
	Includes: Plug, Adj.Screw, Spring and Ball Bearing								
39	40820	40820	40820	Inlet Grill Assembly					
40	40823	40824	40824	Bottom Half Shell					
41	26227	26227	26227	Snap Bushing					
42	****	****	****	****					
43	40826	40826	40826	Control Panel					
44	40828	40828	40828	Control Recess					
45	40829	40829	40829	Thermostat Knob					



# DEWALT®

## INSTRUCTION MANUAL

### Kerosene Forced-Air Heater DXH135HD, DXH190HD, DXH215HD



### **Warning:**

Use only manufacturer's replacement parts. Use of any other parts could cause injury or death. Replacement parts are only available direct from the factory and must be installed by a qualified service agency.

### **PARTS ORDERING INFORMATION:**

**PURCHASING:** Accessories may be purchased at any DeWalt® local dealer or direct from the factory

### **FOR INFORMATION REGARDING SERVICE:**

Please call Toll-Free 855-805-5745  
[www.dewalt.com](http://www.dewalt.com)

Our office hours are 8:00 AM – 5:00 PM, EST, Monday through Friday.

Please include the model number, date of purchase, and description of problem in all communication.

### **LIMITED WARRANTY:**

DeWalt® warrants its heaters and accessories to be free from defects in material and workmanship for a period of 1 year from date of purchase. DeWalt® will repair or replace this product free of charge if it has been proven to be defective within the 1-year period, and is returned at customer expense with proof of purchase to DeWalt® within the warranty period.

  
 UL-733, CSA B140.8, CSA  
 B140.9.3